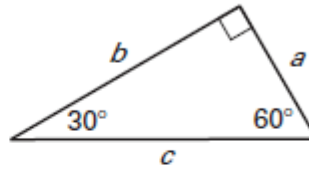
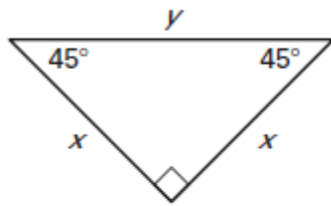


HOMWORK: GEOMETRY REVIEW

NAME: _____ DAY 1 DUE: _____

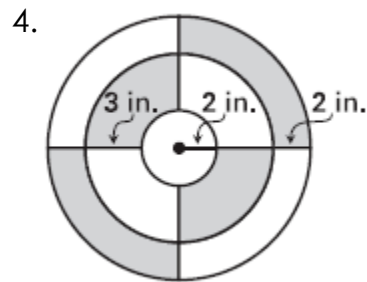
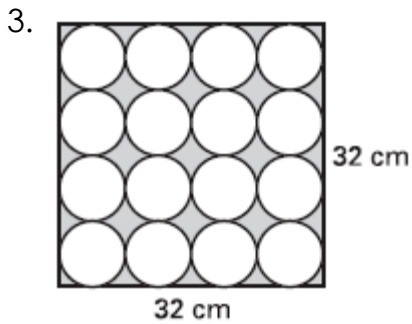
Complete the table.



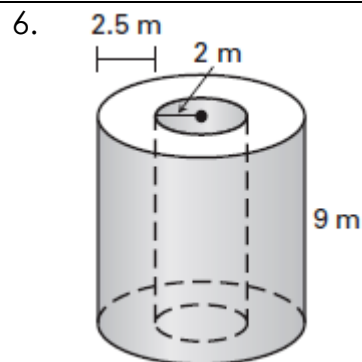
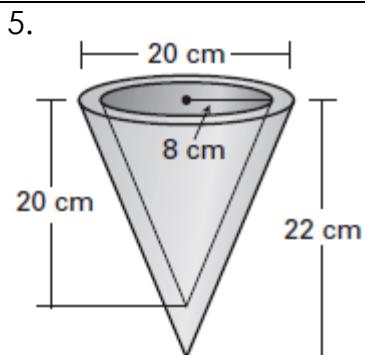
x	5		$\sqrt{2}$	9	
y		$4\sqrt{2}$			24

a	9			11	
b		9	$5\sqrt{3}$		
c					16

Find the exact area of the shaded region.

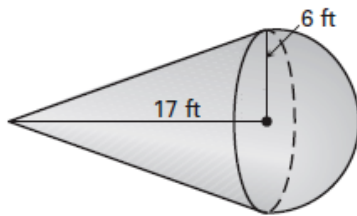


Find the exact volume.

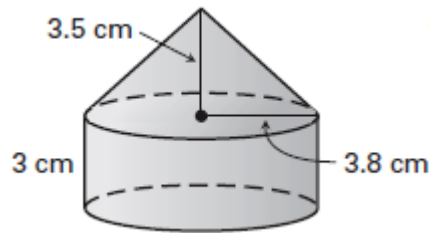


Find the surface area. Round to the thousandths if necessary.

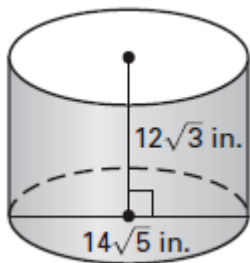
7.



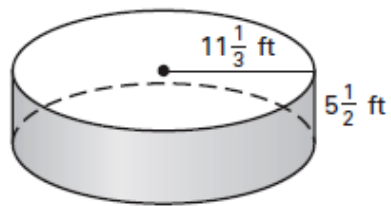
8.



9.

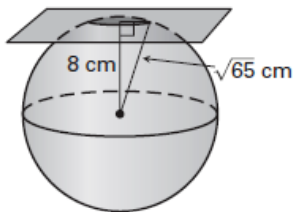


10.

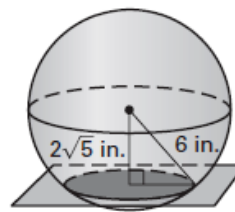


Find the area of intersection of the sphere and plane. Write your answer in terms of pi.

11.



12.



13. Find the area of an equilateral triangle with side lengths of $3\sqrt{2}$ in.