



*“The digital-age teaching professional must demonstrate a vision of technology infusion and develop the technology skills of others. These are the hallmarks of the new education leader”.*

Don Knezek  
International Standards for  
Technology in Education (ISTE)  
CEO



<http://bookbuilder.cast.org/>

**Free on-line authoring tool for educators and students:**



Welcome to the **new CAST Universal Design for Learning (UDL) Book Builder!** Use this site to create, share, publish, and read digital books that engage and support diverse learners according to their individual needs, interests, and skills.

[Using Book Builder's new features.](#)

Features coaches you can customize!

## Components of Book Builder



## Tips for Authors:



Let Terry be your guide:

- The Book Builder site contains “Resources” for images and text to use, as well as book ideas
- Determine why you are writing the book and who you are writing it for
- Plan ahead
- Use a graphic organizer to map out your book
- Create an electronic folder to store all text, photos, or graphics, sound files, etc.
- Clearly label images and sound files
- Save references as you go along so you can give credit where credit is due
- Select vocabulary to support understanding of your book and hyperlink to the Glossary. Use text definitions, images, and/or audio clips to explain words or concepts
- Decide what coaches you will use, how you will use them, and what they will do
- Upload your book

## A 21<sup>st</sup> century tool for meeting the diverse needs of ALL students



**If You Build it, They Will Read:**  
Authoring Books Online with CAST  
Book Builder

**Presenters:**  
**Judith Schoenover**  
judith.schoenover@loudoun.k12.va.us  
**Sally Norton-Darr**  
sally.nortondarr@loudoun.k12.va.us  
**Mark Nichols**  
mark.nichols@loudoun.k12.va.us  
**Loudoun County Public Schools**  
[www.loudoun.k12.va.us/at](http://www.loudoun.k12.va.us/at)



**If You Build it, They Will Read:**  
Authoring Books Online with  
CAST Book Builder  
<http://tinyurl.com/bookbuilder4u>

**Exemplifies NETS for Students, Teachers, and Administrators:**  
NETS for Students calls for:  
Creativity and Innovation  
Communication and Collaboration  
Research and Information Fluency, and  
Critical Thinking, Problem Solving, and  
Decision Making  
Digital Citizenship  
Technology Operations and Concepts  
NETS for Teachers challenges them to:  
Facilitate and Inspire Student Learning and  
Creativity  
Design and Develop Digital-Age Learning  
Experiences and Assessment  
Model Digital-Age Work and Learning  
Promote and Model Digital Citizenship and  
Responsibility  
Engage in Professional Growth and  
Leadership  
NETS for Administrators involves:  
Leadership and Vision  
Leadership and Teaching  
Learning and Professional Practice  
Productivity and Evaluation  
Assessment and Evaluation  
Support, Management, and Operations  
Social, Legal, and Ethical Issues

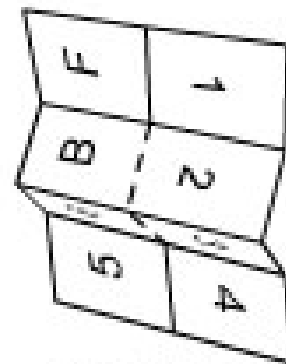
**JUST DO IT!**  
**Use software and web resources to:**  
• Scan pictures and photos  
• Blend images  
• Add and edit audio  
• Generate and edit text BEFORE uploading to Book Builder  
**Once your book is uploaded:**  
• Download it as a zipped file from the Book Builder site to read it when offline  
• View book on an interactive whiteboard for whole group literacy experiences  
• Use or download text-to-speech  
• Blog about your experience and ideas at:  
<http://attipscast.wordpress.com>

# Folding Instructions

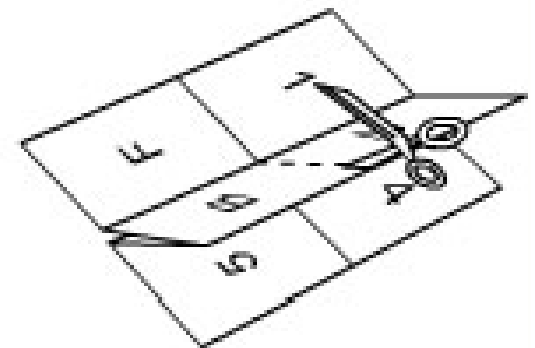
Note: All folds should be to the lines printed on the paper, and not to the actual edges of the page.



1. Start with front page at top left

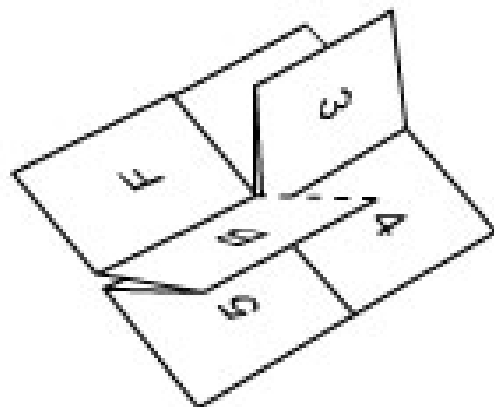


2. Fold in halves

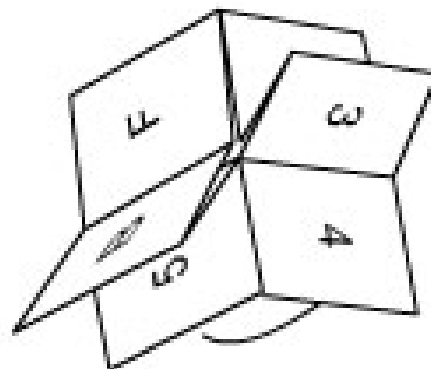


3. Cut at dotted line in center

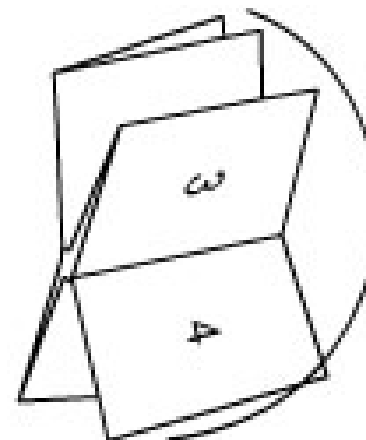
4. Fold to opposite ends.



5. Fold in half vertically



6. Fold in half horizontally



done. enjoy!

